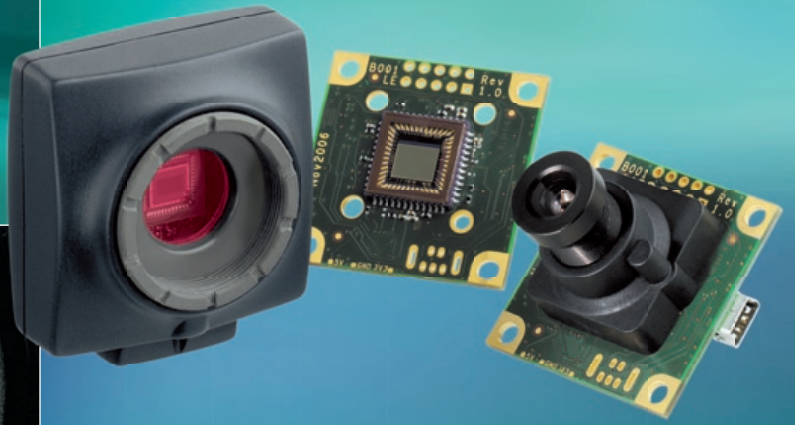
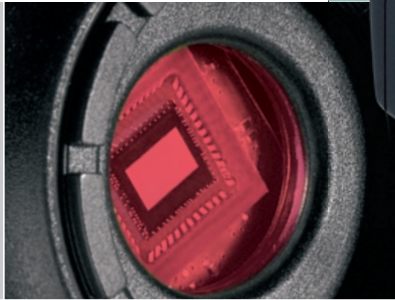


USB uEye® LE



Your imagination is our challenge

USB uEye® LE



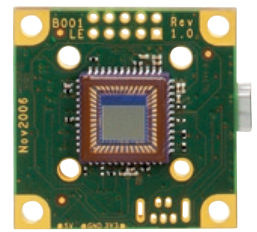
USB uEye LE camera
with C/CS-mount lens adapter
44 x 44 x 25.4 mm (W x H x D)
Weight: 32 g



The USB port is provided
on the side to save space



Board-level version 1
with S-mount lens adapter
36 x 36 x 20 mm (W x H x D)
Weight: 12 g



Board-level version 2
without lens adapter
36 x 36 x 8 mm (W x H x D)
Weight: 8 g

The right outfit for any occasion

The USB uEye LE series comes in four different versions. The C/CS-mount lens connection allows using compact lenses and mounting the camera on a microscope. The board-level versions of the cameras support the use of M12 S-mount lenses and custom optical systems.

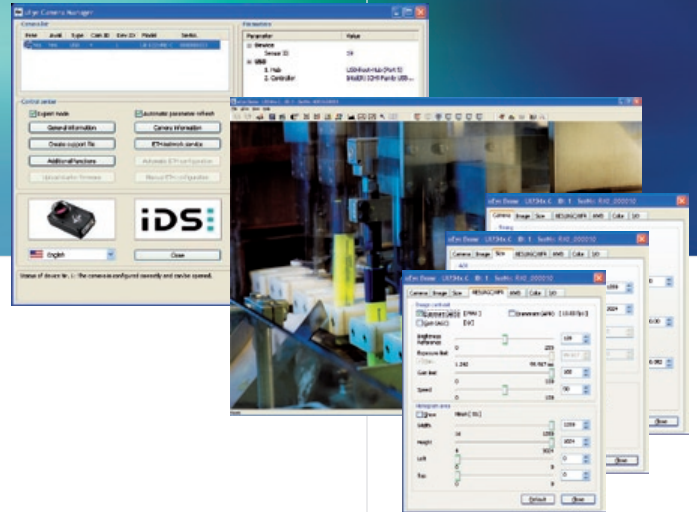
The LE models can also be used as the basis for special project-related designs. Contact us!

Firmware upload philosophy

The modular uEye concept can also be found in our software: All necessary drivers are only loaded into the camera after it has been connected. With regularly released updates the functionality can thus be enhanced even for already installed cameras.

	Resolution	Framerate	Sensor	B/W	Color	Model
up to 1 Megapixel						
WVGA	752 x 480	87 fps	1/3" Aptina CMOS	x	x	UI-1225LE
1 to 2 Megapixel						
1,3 Mpixel	1280 x 1024	25 fps	1/2" Aptina CMOS	x		UI-1545LE
1,3 Mpixel	1280 x 1024	25 fps	1/3" Aptina CMOS		x	UI-1645LE
2 Mpixel	1600 x 1200	18 fps	1/3" Aptina CMOS		x	UI-1555LE
over 2 Megapixel						
3,1 Mpixel	2048 x 1536	11 fps	1/2" Aptina CMOS		x	UI-1465LE
5 Mpixel	2560 x 1920	6 fps	1/2" Aptina CMOS	x	x	UI-1485LE
10 Mpixel	3840 x 2748	3 fps	1/2" Aptina CMOS		x	UI-1495LE

Very Easy Integration Thanks to Comprehensive Software



Programming: SDK and interfaces

With every uEye camera, you receive a comprehensive software package with drivers for Windows and Linux. Interfaces for various image processing packages, standard drivers such as DirectShow (WDM), a GenICam™ interface as well as our Software Development Kit (SDK) allow individual integration within a very short time.

Programming: Languages and libraries

To make integration as easy as possible and allow use of your familiar development environment, we support the following programming languages: C, C++, C#, Microsoft .NET and Visual Basic. We also provide 3rd party software drivers for Activision Tools, Common Vision Blox, HALCON, LabView, and NeuroCheck.

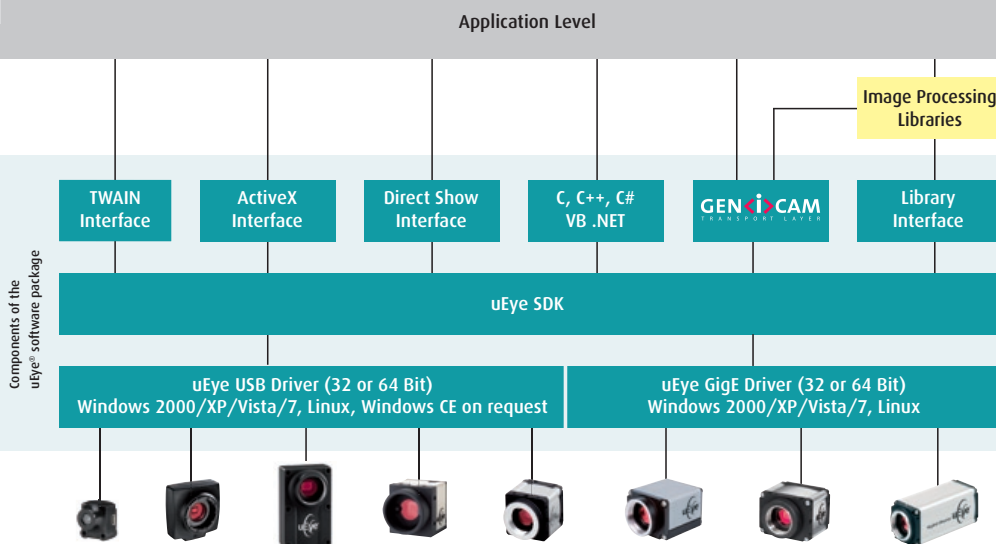
Tools: Easy configuration

The uEye Camera Manager is the central tool for managing all uEye connected to the system. An expert mode gives you additional details on the connected cameras. This central tool helps you avoid bottlenecks and achieve maximum performance.

Tools: uEye® Demo

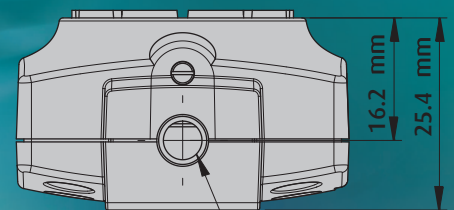
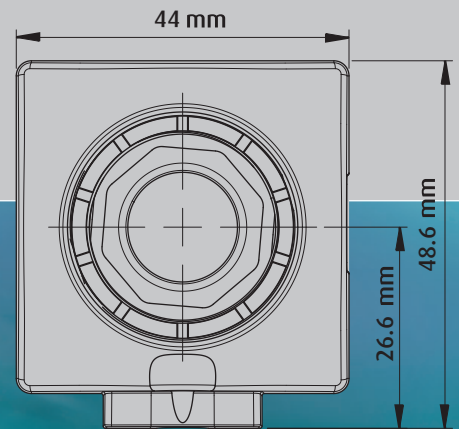
The supplied uEye demo program allows you to start acquiring images with your uEye camera in no time at all. It also allows you to perform image measurement and annotation, in addition to giving you all the tools to configure optimal camera settings for your application.

The uEye® Software

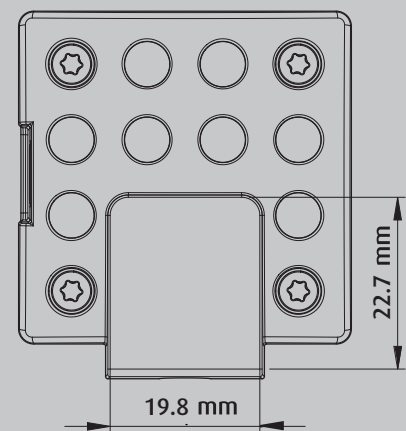


Key features at a glance

- Universal use with PC, notebook, IPC and embedded systems with USB 2.0
- Monochrome and color models
- Resolutions from WVGA (752 x 480) to 10 Megapixel (3840 x 2748)
- High-quality CMOS sensors
- Up to 87 full frames/sec., over 500 frames/sec. with AOI
- Single driver for all uEye cameras
- Camera control and power supply via the USB bus
- Suitable for installation on variable mounting areas
- Models with C/CS-mount and S-mount lens connection, C-mount via adapter
- Powerful SDK for Windows 2000/XP/Vista/7 and Linux
- 3rd party drivers for most common image processing software applications, including LabView, HALCON, Common Vision Blox and NeuroCheck
- GenICam™ interface



1/4" thread for tripod mounting



Scale 1:1 (USB uEye LE) – 3D CAD data on request



ids

www.ids-imaging.com

IDS Imaging Development Systems GmbH
Dimbacher Straße 6-8
74182 Obersulm/Germany
Phone +49(0)7134/96196-0
Fax +49(0)7134/96196-99
sales@ids-imaging.de

IDS Imaging Development Systems, Inc.
400 West Cummings Park, Suite 3400
Woburn, MA 01801, USA
Phone +1(781)787-0048
Fax +1(781)287-1258
usasales@ids-imaging.com